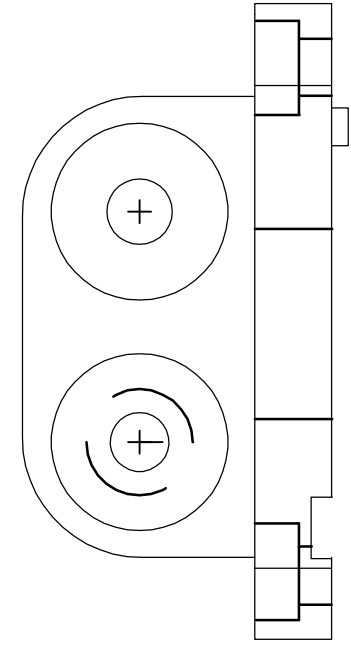
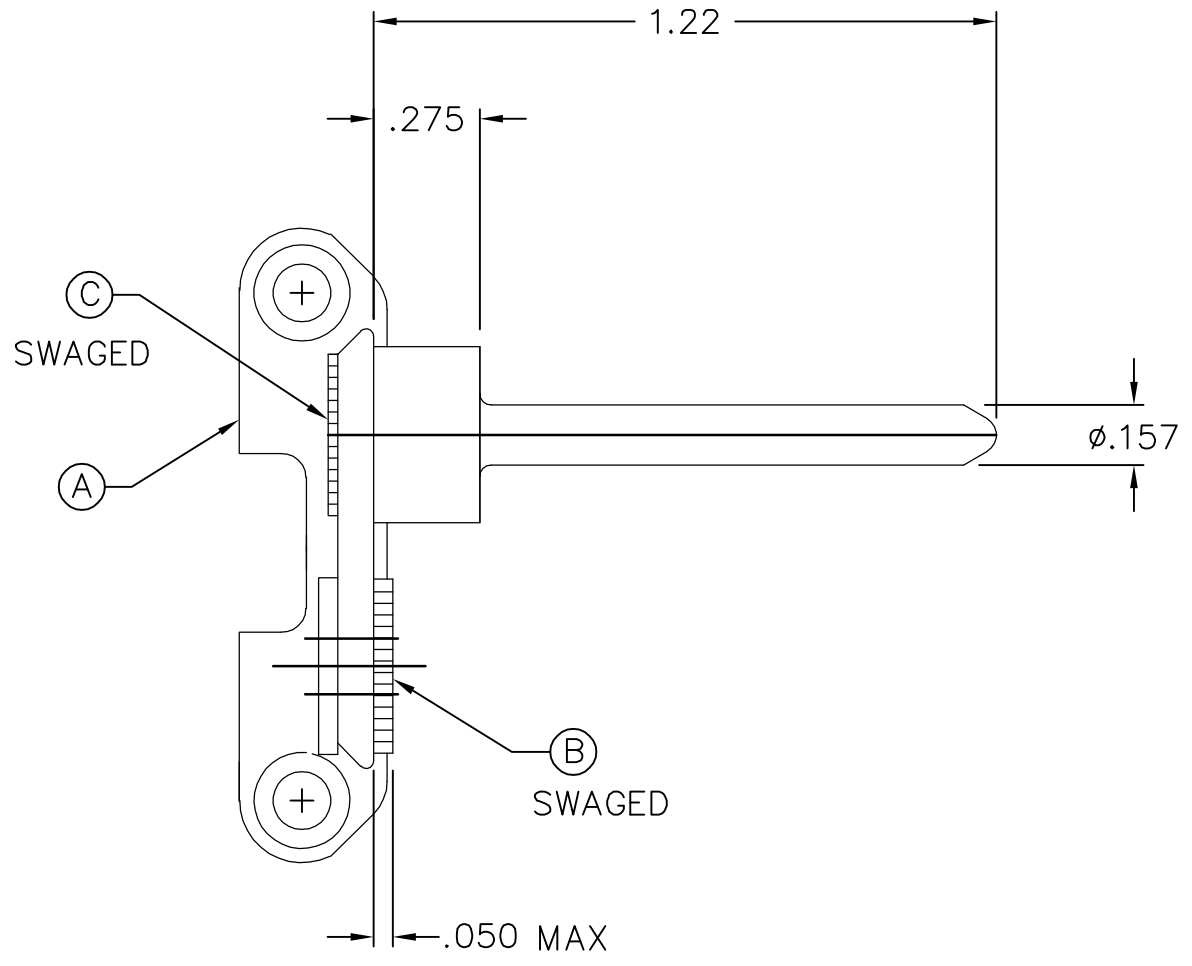


THIS DRAWING IS UNPUBLISHED. RELEASED FOR PUBLICATION
 © COPYRIGHT BY TYCO ELECTRONICS CORPORATION. ALL RIGHTS RESERVED.

LOC	DIST	REVISIONS			
P	LTR	DESCRIPTION	DATE	DWN	APVD
GP	00	A	NEW RELEASE	13APR07	RG DO



1. PART NUMBER CHANGES AND/OR DESIGN CHANGES AFFECTING ITEM INTERCHANGEABILITY REQUIRE PRIOR TYCO APPROVAL AND AUTHORIZATION BY REVISION TO THIS DRAWING.

2. ITEMS PROVIDED TO THIS SPECIFICATION TO BE PERMANENTLY IDENTIFIED PER THE FOLLOWING IDENTIFIER:

YEAR WEEK
 TYCO PART NUMBER DATE CODE (e.g. 0212)
 XXXXXXX-X XXXX

QTY	PART NO.	DESCRIPTION	ITEM
1	1766832-1	GUIDE PIN, END CAP, ZINC PLATED	C
1	1766838-1	COLLAR, FIXED, END CAP, ZINC PLATED	B
1	1766830-1	END CAP, PANEL MOUNT, FLOAT	A
-1	PART NO.	DESCRIPTION	ITEM

THIS DRAWING IS A CONTROLLED DOCUMENT.		DWN R.GRZYBOWSKI 13APR07	Tyco Electronics Corporation Harrisburg, PA 17105-3608	
DIMENSIONS: INCHES		CHK D.ORRIS 13APR07		
		APVD S.FLICKINGER 13APR07	NAME	
TOLERANCES UNLESS OTHERWISE SPECIFIED:		PRODUCT SPEC	END CAP, FIXED MOUNT, GUIDE PIN NON L MODULE DOMINO	
0 PLC ± - 1 PLC ± - 2 PLC ± .01 3 PLC ± .005 4 PLC ± - ANGLES ± .5		APPLICATION SPEC	SIZE	CAGE CODE
MATERIAL		WEIGHT	A3	00779
FINISH		DRAWING NO		RESTRICTED TO
-		C-6648259		-
CUSTOMER DRAWING			SCALE 2:1	SHEET 1 OF 1
			REV A	